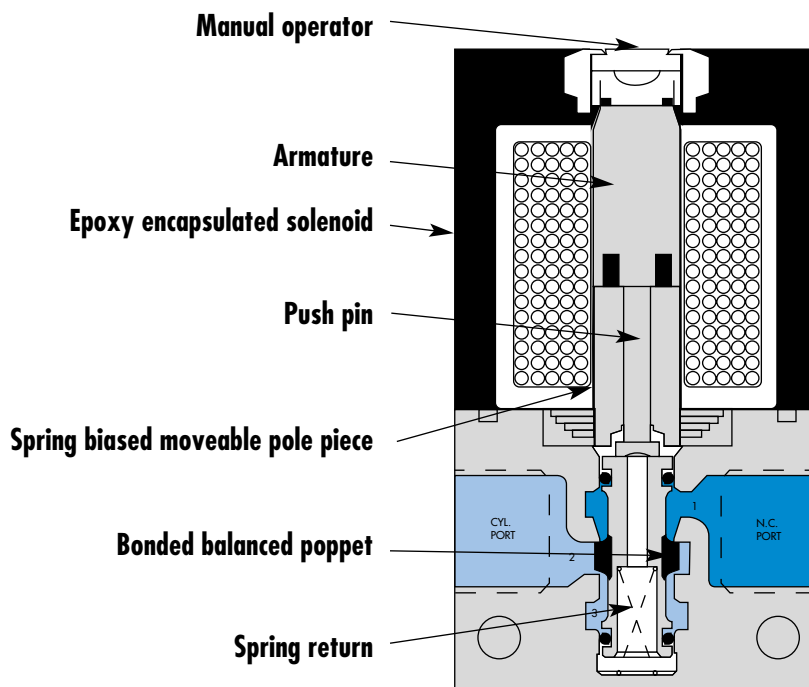


Circuit bar mounting

non plug-in	non plug-in with Pr. Reg.	plug-in	plug-in with side Pr. Reg.	plug-in with integral terminal strip	plug-in with integral terminal strip and side Pr. Reg.
-------------	---------------------------	---------	----------------------------	--------------------------------------	--



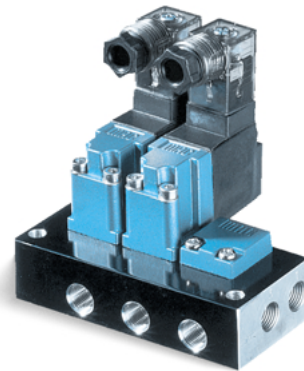
SERIES FEATURES

- Patented MACSOLENOID® for fastest possible response times.
- Balanced poppet permits versatility in function :
- 3 way N.C. - 3 way N.O. - Divertor - Selector
- Extremely high cycle rate capability.
- Various solenoid enclosures and plug-in connectors.
- Low wattage DC solenoids - down to 1.8 watts.
- Rated for lubricated or non-lubricated service.

Function	Port size	Flow [Max]	Circuit bar mounting
3/2 NO-NC	1/8" NPTF - #10-32 UNF	0.10C_v	non plug-in

OPERATIONAL BENEFITS

1. Balanced poppet, immune to variations of pressure.
2. Short stroke with high flow.
3. The patented solenoid develops high shifting forces.
4. Powerful return spring.
5. Manual operator standard on all valves.
6. Burn-out proof solenoid on AC service.



HOW TO ORDER

HOW TO ORDER VALVE FOR CIRCUIT BAR MOUNTING

	Universal valve
	
Valve less base	35A-B00-Dxxx-xxx

SOLENOID OPERATOR >

D **XX X- X XX'**

XX	Voltage	X	Wire length	X	Manual operator	XX	Electrical connection
AA	120/60, 110/50	A	18" (Flying leads)	1	Non-locking Recessed	KA	Square connector
AB	240/60, 220/50	J	Connector	2	Locking Recessed	KD	Square connector with light
AC	24/60, 24/50					BA	Flying leads
FB	24VDC (1.8 W)						
DA	24VDC (5.4 W)						
DF	24VDC (12.7 W)						

HOW TO ORDER CIRCUIT BAR**

Port size	Side cylinder ports Spacing 21 mm	Bottom cylinder ports Spacing 21 mm
1/8" NPTF	EBM35A-001A-xx	EBM35A-002A-xx
# 10-32 UNF	EBM35A-001B-xx	EBM35A-002B-xx

Number of stations (03=3 stations)

** Other options available. Consult factory.

Note : clic for valves mounted on base at the factory, add - 9 to the model number.

**TECHNICAL
D A T A**

Fluid :	Compressed air, vacuum, inert gases		
Pressure range :	Vacuum to 120 PSI		
Lubrication :	Not required, if used select a medium aniline point lubricant (between 180°F and 210°F)		
Filtration :	40 µ		
Temperature range :	0°F to 120°F (-18°C to 50°C)		
Orifice :	2 mm		
Flow (at 6 bar, ΔP=1bar) :	1.8 W : 0.08 C _v , 5.4 W : 0.1 C _v		
Coil :	General purpose class A, continuous duty, encapsulated		
Voltage range :	-15% to +10% of nominal voltage		
Protection :	Nema 4		
Power :	120 VAC/60 = Inrush : 10.9 VA (0.09 AMPS) Holding : 7.7VA (0.06 AMPS) DC VOLTS = 1.8 W to 12.7 W		
Response times :	24 VDC (5.4W)	Energize : 6 ms	De-energize : 2 ms
	120 VAC	Energize : 3-8 ms	De-energize : 2-7 ms

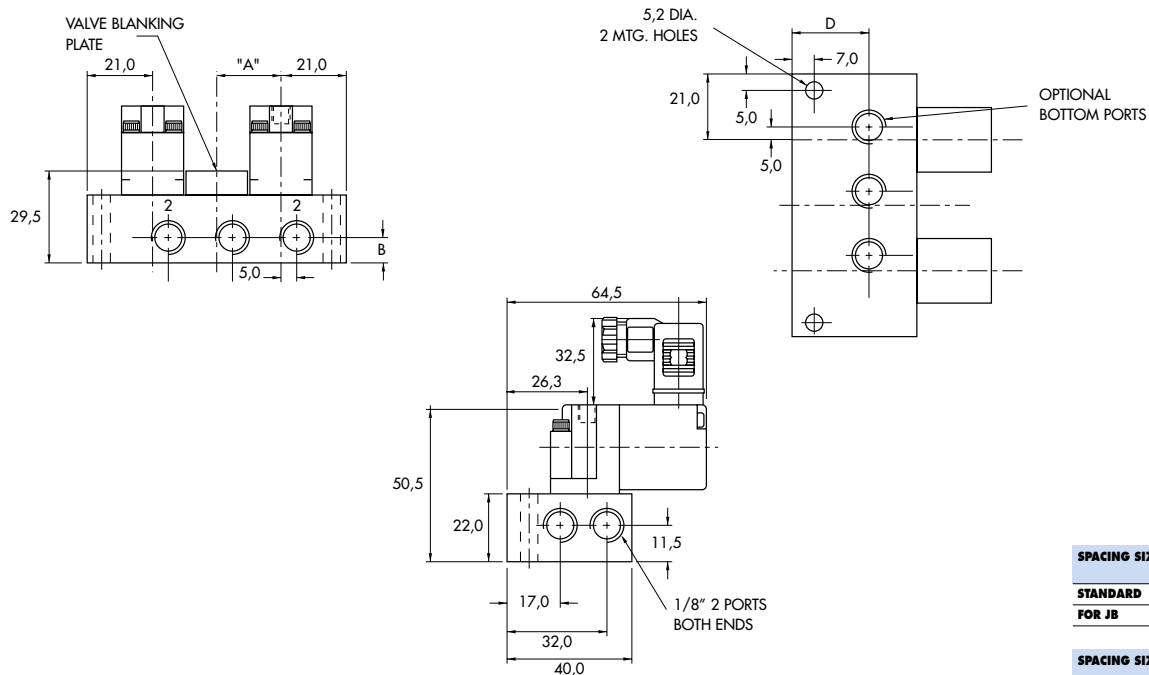
Spare parts :

- Solenoid operator (power ≥ 5.4 W) : DXXX-XXX, including mounting screws 35013.
- Seal between solenoid and valve body : 16402. • Seal between base and valve : 16447.
- Valve mounting screw (x2) : 35020. • Blanking plate valve : M-35004.

Options :

- BSPP threads. • High flow up to 0.14C_v, according to wattage. • Isolation of inlet and/or exhaust.

DIMENSIONS



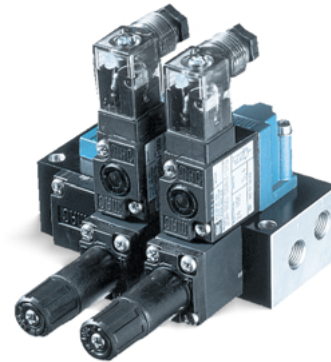
SPACING SIZE	A	
STANDARD	21.0	
FOR JB	26.0	

SPACING SIZE	B	D
1/8"	8.0	24.5
# 10-32	5.5	24.2

Function	Port size	Flow [Max]	Circuit bar mounting
3/2 NO-NC	1/8" NPTF - #10-32 UNF	0.10C_v	non plug-in with Pr. Reg.

OPERATIONAL BENEFITS


1. Balanced poppet, immune to variations of pressure.
2. Short stroke with high flow.
3. The patented solenoid develops high shifting forces.
4. Powerful return spring.
5. Manual operator standard on all valves.
6. Burn-out proof solenoid on AC service.



Reset

HOW TO ORDER

HOW TO ORDER VALVE FOR CIRCUIT BAR MOUNTING

	Universal valve
	
Valve less base	35A-B00-Dxxx-xxx
Valve less base w/ gage port	35A-F00-Dxxx-xxx

SOLENOID OPERATOR >

D **XX X- X XX**

XX	Voltage	X	Wire length	X	Manual operator	XX	Electrical connection
AA	120/60, 110/50	A	18" (Flying leads)	1	Non-locking Recessed	KA	Square connector
AB	240/60, 220/50	J	Connector	2	Locking Recessed	KD	Square connector with light
AC	24/60, 24/50					BA	Flying leads
FB	24VDC (1.8 W)						
DA	24VDC (5.4 W)						
DF	24VDC (12.7 W)						

HOW TO ORDER CIRCUIT BAR WITH PRESSURE REGULATORS (TO BE ORDERED SEPARATELY)* *

Port size Side cylinder ports	Spacing 21 mm	Spacing 40 mm
1/8" NPTF	EBM35A-003A-xx	EBM35A-023A-xx
# 10-32 UNF	EBM35A-003B-xx	EBM35A-023B-xx
Port size Bottom cylinder ports	Spacing 21 mm	Spacing 40 mm
1/8" NPTF	EBM35A-004A-xx	EBM35A-024A-xx
# 10-32 UNF	EBM35A-004B-xx	EBM35A-024B-xx

Number of stations (03=3 stations)

Other options available. Consult factory.

Note : clic for valves mounted on base at the factory, add - 9 to the model number.
use 40 mm spacing for valves w/ gage port.

** Pressure Regulators :

- 35A-00M (Adjusting knob)
- 35A-00L (Slotted stem)
- 35A-00U (Locking stem)

**TECHNICAL
DATA**

Fluid :	Compressed air, vacuum, inert gases
Pressure range :	Vacuum to 120 PSI
Lubrication :	Not required, if used select a medium aniline point lubricant (between 180°F and 210°F)
Filtration :	40 µ
Temperature range :	0°F to 120°F (-18°C to 50°C)
Orifice :	2 mm
Flow (at 6 bar, ΔP=1bar) :	1.8 W : 0.08 C _v , 5.4 W : 0.1 C _v
Coil :	General purpose class A, continuous duty, encapsulated
Voltage range :	-15% to +10% of nominal voltage
Protection :	Nema 4
Power :	120 VAC/60 = Inrush : 10.9 VA (0.09 AMPS) Holding : 7.7VA (0.06 AMPS) DC VOLTS = 1.8 W to 12.7 W
Response times :	24 VDC (5.4W) Energize : 6 ms De-energize : 2 ms 120 VAC Energize : 3-8 ms De-energize : 2-7 ms

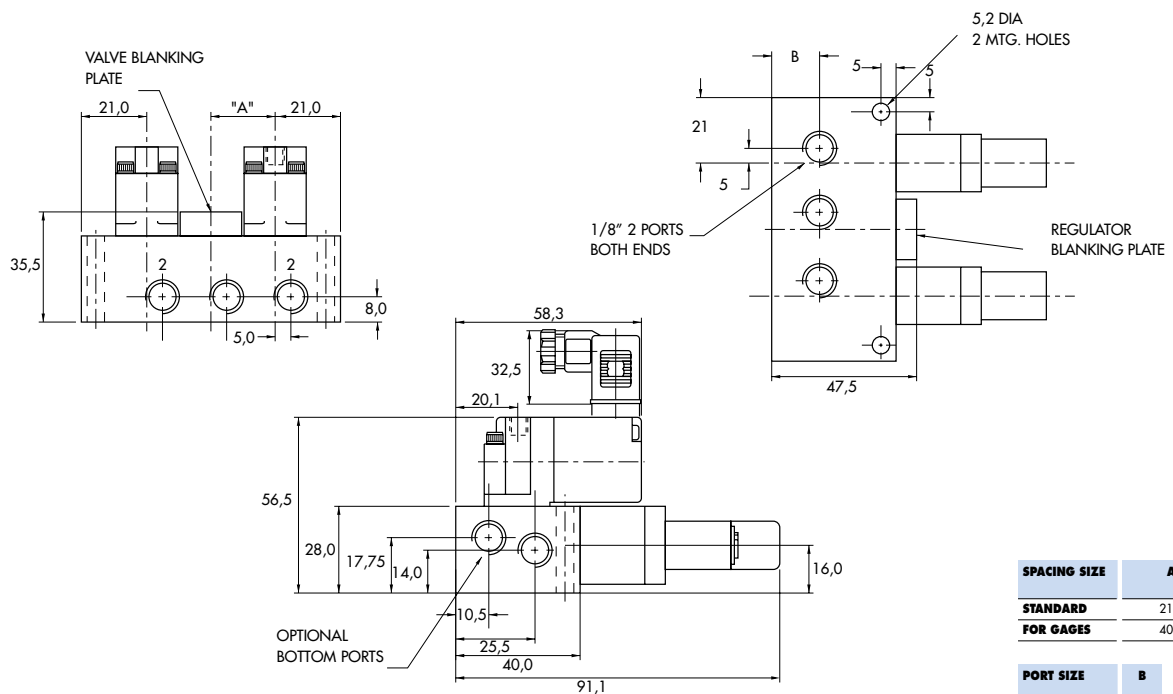
Spare parts :

- Solenoid operator (power ≥ 5.4 W) : DXXX-XXX, including mounting screws 35013.
- Seal between solenoid and valve body : 16402. • Seal between base and valve : 16447.
- Valve mounting screw (x2) : 35020. • Blanking plate valve : M-35004. • Blanking plate regulator : M-35005.

Options :

- BSPP threads. • High flow up to 0.14C_v, according to wattage. • Isolation of inlet and/or exhaust.

DIMENSIONS



Function	Port size	Flow [Max]	Circuit bar mounting
3/2 NO-NC	1/8" NPTF - #10-32 UNF	0.10C_v	plug-in


OPERATIONAL BENEFITS

1. Balanced poppet, immune to variations of pressure.
2. Short stroke with high flow.
3. The patented solenoid develops high shifting forces.
4. Powerful return spring.
5. Manual operator standard on all valves.
6. Burn-out proof solenoid on AC service.



HOW TO ORDER

HOW TO ORDER VALVE FOR "PLUG-IN" CIRCUIT BAR

	Universal valve
	
Valve less base	35A-B00-DxxJ-xFM

SOLENOID OPERATOR >

D **XX** J- **X** FM *

XX Voltage	X Manual operator
AA 120/60, 110/50	1 Non-locking Recessed
AB 240/60, 220/50	2 Locking Recessed
AC 24/60, 24/50	
FB 24VDC (1.8 W)	
DA 24VDC (5.4 W)	
DF 24VDC (12.7 W)	

HOW TO ORDER "PLUG-IN" CIRCUIT BAR **

Port size	Spacing mm	Side cylinder ports	Bottom cylinder ports
1/8" NPTF	21	ECD35A-001A-A0-xx*	ECD35A-002A-A0-xx*
# 10-32 UNF	21	ECD35A-001B-A0-xx*	ECD35A-002B-A0-xx*
1/8" NPTF	30	ECD35A-031A-C0-xx*	ECD35A-032A-C0-xx*
# 10-32 UNF	30	ECD35A-031B-C0-xx*	ECD35A-032B-C0-xx*

Number of stations (03=3 stations)

** Other options available. Consult factory.

Note : clic for valves mounted on base at the factory, add - 9 to the model number.
 clic for multi-pin connector (9, 15 or 25).

- * A0 = without light
- AA = with light (120V)
- AB = with light (240V)
- AD = with light (24V)
- C0 = terminal strip
- CA = terminal w/light (120V)
- CB = terminal w/light (240V)
- CD = terminal w/light (24V)

**TECHNICAL
D A T A**

Fluid :	Compressed air, vacuum, inert gases
Pressure range :	Vacuum to 120 PSI
Lubrication :	Not required, if used select a medium aniline point lubricant (between 180°F and 210°F)
Filtration :	40 µ
Temperature range :	0°F to 120°F (-18°C to 50°C)
Orifice :	2 mm
Flow (at 6 bar, ΔP=1bar) :	1.8 W : 0.08 C _v , 5.4 W : 0.1 C _v
Coil :	General purpose class A, continuous duty, encapsulated
Voltage range :	-15% to +10% of nominal voltage
Protection :	Nema 4
Power :	120 VAC/60 = Inrush : 10.9 VA (0.09 AMPS) Holding : 7.7VA (0.06 AMPS) DC VOLTS = 1.8 W to 12.7 W
Response times :	24 VDC (5.4W) Energize : 6 ms De-energize : 2 ms 120 VAC Energize : 3-8 ms De-energize : 2-7 ms

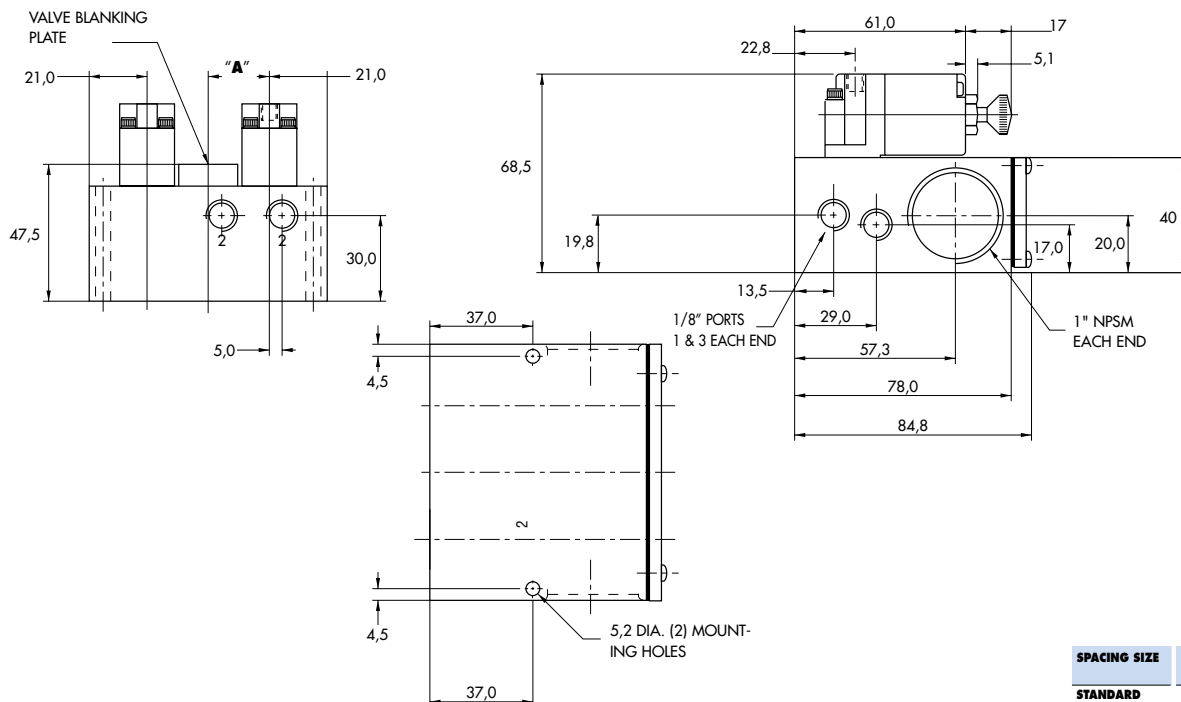
Spare parts :

- Solenoid operator (power ≥ 5.4 W) : DXXX-XXX, including mounting screws 35013.
- Seal between solenoid and valve body : 16402. • Seal between base and valve : 16447.
- Valve mounting screw (x2) : 35020. • Blanking plate valve : M-35004. • Plug-in protector : 16520.

Options :

- BSPP threads. • High flow up to 0.14C_v, according to wattage. • Isolation of inlet and/or exhaust.

D I M E N S I O N S

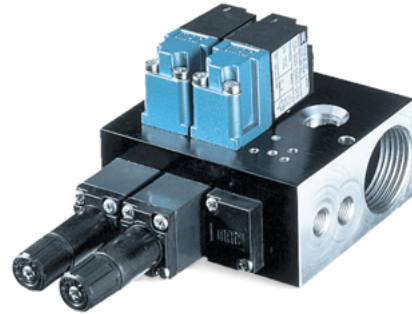


SPACING SIZE	A
STANDARD	21.0
FOR TERMINAL STRIPS	30.0

Function	Port size	Flow [Max]	Circuit bar mounting
3/2 NO-NC	1/8" NPTF - #10-32 UNF	0.10C_v	plug-in with side Pr. Reg.

OPERATIONAL BENEFITS

1. Balanced poppet, immune to variations of pressure.
2. Short stroke with high flow.
3. The patented solenoid develops high shifting forces.
4. Powerful return spring.
5. Manual operator standard on all valves.
6. Burn-out proof solenoid on AC service.



HOW TO ORDER

HOW TO ORDER VALVE FOR "PLUG-IN" CIRCUIT BAR

	Universal valve
Valve less base	35A-B00-DxxJ-xFM
Valve less base w/ gage port	35A-F00-DxxJ-xFM

SOLENOID OPERATOR >

D XX J- X FM *

XX Voltage	X Manual operator
AA 120/60, 110/50	1 Non-locking Recessed
AB 240/60, 220/50	2 Locking Recessed
AC 24/60, 24/50	
FB 24VDC (1.8 W)	
DA 24VDC (5.4 W)	
DF 24VDC (12.7 W)	

HOW TO ORDER "PLUG-IN" CIRCUIT BAR WITH PRESSURE REGULATORS (TO BE ORDERED SEPARATELY)* **

Port size	Spacing mm	Bottom cylinder ports
1/8" NPTF	21	ECD35A-004A-A0-xx*
# 10-32 UNF	21	ECD35A-004B-A0-xx*
1/8" NPTF	30	ECD35A-034A-C0-xx*
# 10-32 UNF	30	ECD35A-034B-C0-xx*
1/8" NPTF	40	ECD35A-024A-A0-xx*
# 10-32 UNF	40	ECD35A-024B-A0-xx*

Number of stations (03=3 stations)

** Other options available. Consult factory.

Note : clic for valves mounted on base at the factory, add - 9 to the model number.
 clic for multi-pin connector (9, 15 or 25).
 minimum spacing for terminal strips is 30 mm.
 use 40 mm spacing for valves w/gage port.

** Pressure Regulators :

- 35A-00M (Adjusting knob)
- 35A-00L (Slotted stem)
- 35A-00U (Locking stem)

*

- A0 = without light
- AA = with light (120V)
- AB = with light (240V)
- AD = with light (24V)
- C0 = terminal strip
- CA = terminal w/light (120V)
- CB = terminal w/light (240V)
- CD = terminal w/light (24V)

**TECHNICAL
DATA**

Fluid :	Compressed air, vacuum, inert gases		
Pressure range :	Vacuum to 120 PSI		
Lubrication :	Not required, if used select a medium aniline point lubricant (between 180°F and 210°F)		
Filtration :	40 µ		
Temperature range :	0°F to 120°F (-18°C to 50°C)		
Orifice :	2 mm		
Flow (at 6 bar, ΔP=1bar) :	1.8 W : 0.08 C _v , 5.4 W : 0.1 C _v		
Coil :	General purpose class A, continuous duty, encapsulated		
Voltage range :	-15% to +10% of nominal voltage		
Protection :	Nema 4		
Power :	120 VAC/60 = Inrush : 10.9 VA (0.09 AMPS) Holding : 7.7VA (0.06 AMPS) DC VOLTS = 1.8 W to 12.7 W		
Response times :	24 VDC (5.4W)	Energize : 6 ms	De-energize : 2 ms
	120 VAC	Energize : 3-8 ms	De-energize : 2-7 ms

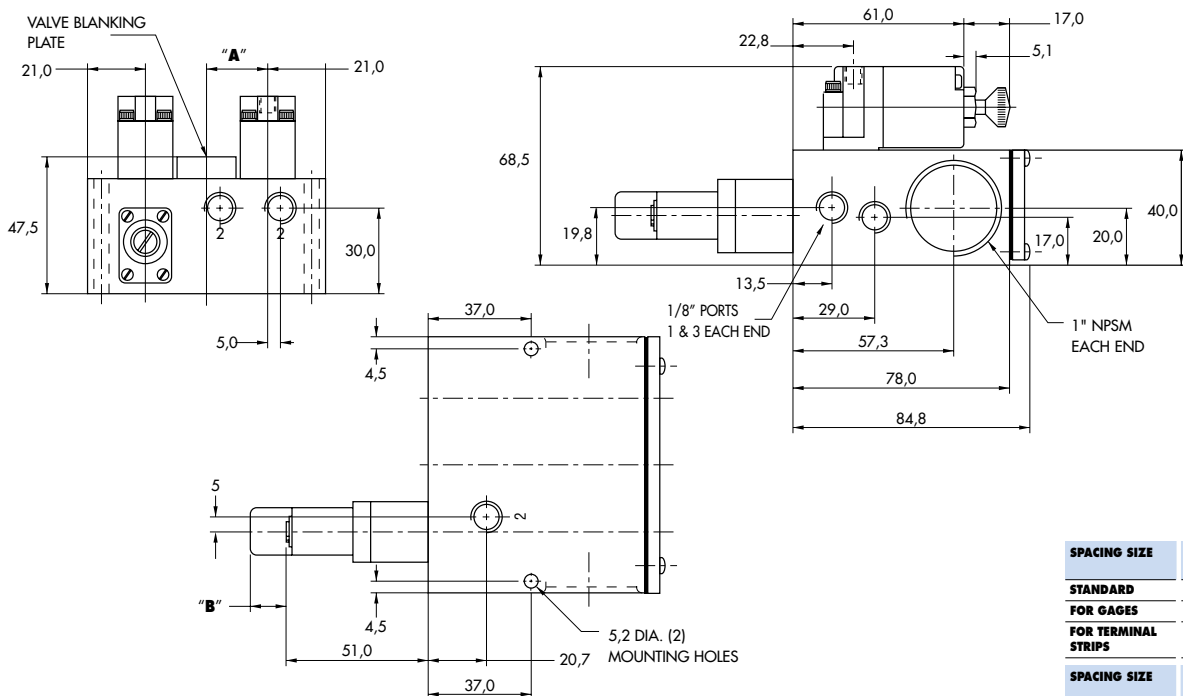
Spare parts :

- Solenoid operator (power ≥ 5.4 W) : DXXX-XXX, including mounting screws 35013.
- Seal between solenoid and valve body : 16402. • Seal between base and valve : 16447.
- Valve mounting screw (x2) : 35020. • Blanking plate valve : M-35004. • Blanking plate regulator : M-35005.
- Plug-in protector : 16520.

Options :

- BSPP threads. • High flow up to 0.14C_v, according to wattage. • Isolation of inlet and/or exhaust.

DIMENSIONS

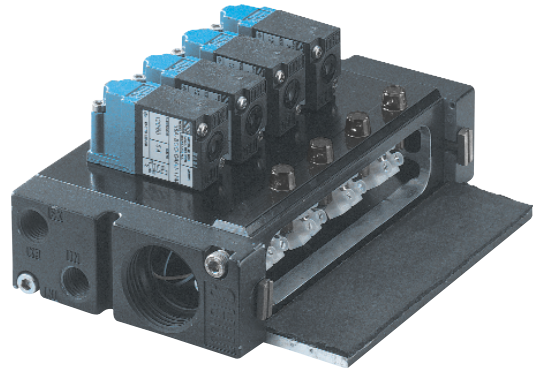


SPACING SIZE	A
STANDARD	21.0
FOR GAGES	40.0
FOR TERMINAL STRIPS	30.0
SPACING SIZE	B
SLOTTED LOCKING STEM	6.0
ADJUSTING KNOB	13.4

Function	Port size	Flow [Max]	Circuit bar mounting
3/2 NO-NC	1/8" NPTF - #10-32 UNF	0.10C_v	plug-in with integral terminal strip

OPERATIONAL BENEFITS

1. Balanced poppet, immune to variations of pressure.
2. Short stroke with high flow.
3. The patented solenoid develops high shifting forces.
4. Powerful return spring.
5. Manual operator standard on all valves.
6. Burn-out proof solenoid on AC service.



HOW TO ORDER

HOW TO ORDER VALVE FOR "PLUG-IN" CIRCUIT BAR

	Universal valve
Valve less base	35A-B00-DxxJ-xFM

SOLENOID OPERATOR >

D **XX** J- **X** FM *

XX Voltage	X Manual operator
AA 120/60, 110/50	1 Non-locking Recessed
AB 240/60, 220/50	2 Locking Recessed
AC 24/60, 24/50	
FB 24VDC (1.8 W)	
DA 24VDC (5.4 W)	
DF 24VDC (12.7 W)	

HOW TO ORDER "PLUG-IN" CIRCUIT BAR **

Port size	Spacing mm	Side cylinder ports	Bottom cylinder ports
1/8" NPTF	26	ECE35A-011A-C0-xx*	ECE35A-012A-C0-xx*
# 10-32 UNF	26	ECE35A-011B-C0-xx*	ECE35A-012B-C0-xx*

Number of stations (03=3 stations)

** Other options available. Consult factory.

Note : clic for valves mounted on base at the factory, add - 9 to the model number.
end plate kit required: M-45017.

* C0 = terminal strip
CA = terminal strip w/light (120V)
CB = terminal strip w/light (240V)
CD = terminal strip w/light (24V)

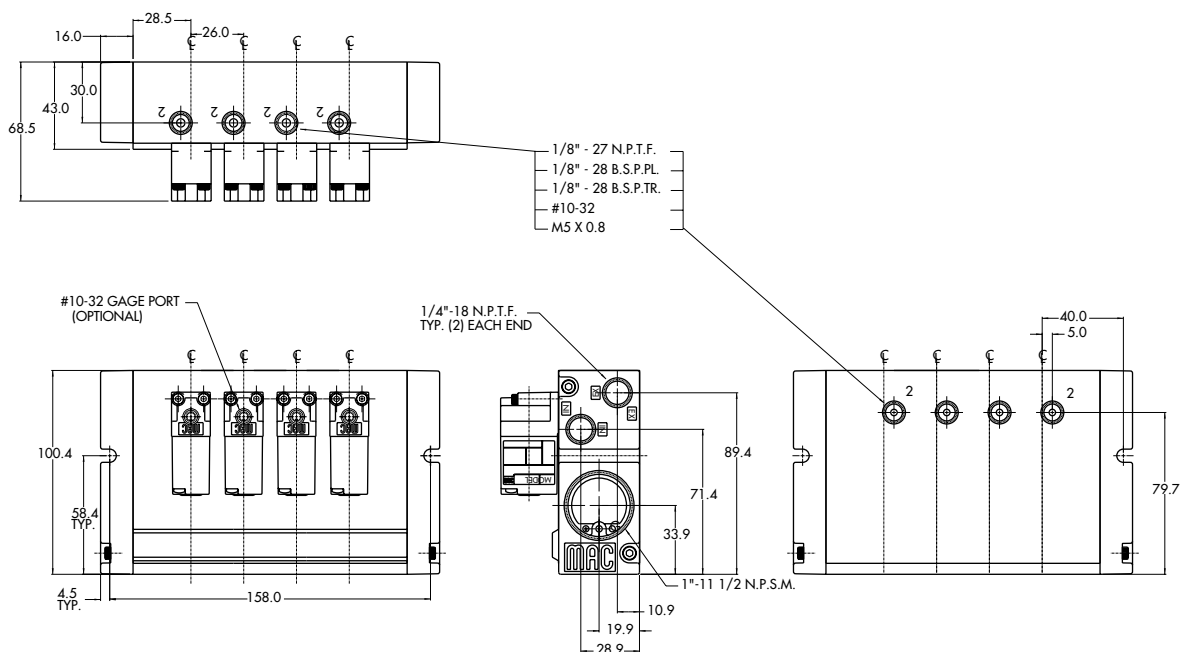
TECHNICAL DATA

Fluid :	Compressed air, vacuum, inert gases		
Pressure range :	Vacuum to 120 PSI		
Lubrication :	Not required, if used select a medium aniline point lubricant (between 180°F and 210°F)		
Filtration :	40 µ		
Temperature range :	0°F to 120°F (-18°C to 50°C)		
Orifice :	2 mm		
Flow (at 6 bar, ΔP=1bar) :	1.8 W : 0.08 C _v , 5.4 W : 0.1 C _v		
Coil :	General purpose class A, continuous duty, encapsulated		
Voltage range :	-15% to +10% of nominal voltage		
Protection :	Nema 4		
Power :	120 VAC/60 = Inrush : 10.9 VA (0.09 AMPS) Holding : 7.7VA (0.06 AMPS) DC VOLTS = 1.8 W to 12.7 W		
Response times :	24 VDC (5.4W)	Energize : 6 ms	De-energize : 2 ms
	120 VAC	Energize : 3-8 ms	De-energize : 2-7 ms

Spare parts :
 • Solenoid operator (power ≥ 5.4 W) : DXXX-XXX, including mounting screws 35013.
 • Seal between solenoid and valve body : 16402. • Seal between base and valve : 16447.
 • Valve mounting screw (x2) : 35020. • Blanking plate valve : M-35004. • Plug-in protector : 16520.

Options :
 • BSPB threads. • High flow up to 0.14C_v, according to wattage. • Isolation of inlet and/or exhaust.

DIMENSIONS



Note: Bottom & side cylinder ports not available on the same station



Direct solenoid and solenoid pilot operated valves

Function	Port size	Flow [Max]	Circuit bar mounting
3/2 NO-NC	1/8" NPTF - #10-32 UNF	0.10C_v	plug-in with integral terminal strip and side Pr. Reg.

OPERATIONAL BENEFITS

1. Balanced poppet, immune to variations of pressure.
2. Short stroke with high flow.
3. The patented solenoid develops high shifting forces.
4. Powerful return spring.
5. Manual operator standard on all valves.
6. Burn-out proof solenoid on AC service.



HOW TO ORDER

HOW TO ORDER VALVE FOR "PLUG-IN" CIRCUIT BAR

	Universal valve
Valve less base	35A-B00-DxxJ-xFM
Valve less base w/ gage port	35A-F00-DxxJ-xFM



SOLENOID OPERATOR >

D **XX** J- **X** FM *

XX Voltage	X Manual operator
AA 120/60, 110/50	1 Non-locking Recessed
AB 240/60, 220/50	2 Locking Recessed
AC 24/60, 24/50	
FB 24VDC (1.8 W)	
DA 24VDC (5.4 W)	
DF 24VDC (12.7 W)	

HOW TO ORDER "PLUG-IN" CIRCUIT BAR WITH PRESSURE REGULATORS (TO BE ORDERED SEPARATELY) **

Port size	Spacing mm	Bottom cylinder ports
1/8" NPTF	26	ECE35A-014A-C0-xx*
# 10-32 UNF	26	ECE35A-014B-C0-xx*
1/8" NPTF	40	ECE35A-024A-C0-xx*
# 10-32 UNF	40	ECE35A-024B-C0-xx*

Number of stations (03=3 stations)
 Note : clic for valves mounted on base at the factory, add - 9 to the model number.
 use 40 mm spacing for valves w/ gage port.
 end plate kit required: M-45017.

** Pressure Regulators :
 35A-00M (Adjusting knob)
 35A-00L (Slotted stem)
 35A-00U (Locking stem)

* C0 = terminal strip
 CA = terminal strip w/light (120V)
 CB = terminal strip w/light (240V)
 CD = terminal strip w/light (24V)

**TECHNICAL
DATA**

Fluid :	Compressed air, vacuum, inert gases		
Pressure range :	Vacuum to 120 PSI		
Lubrication :	Not required, if used select a medium aniline point lubricant (between 180°F and 210°F)		
Filtration :	40 µ		
Temperature range :	0°F to 120°F (-18°C to 50°C)		
Orifice :	2 mm		
Flow (at 6 bar, ΔP=1bar) :	1.8 W : 0.08 C _v , 5.4 W : 0.1 C _v		
	i		
Coil :	General purpose class A, continuous duty, encapsulated		
Voltage range :	-15% to +10% of nominal voltage		
Protection :	Nema 4		
Power :	120 VAC/60 = Inrush : 10.9 VA (0.09 AMPS) Holding : 7.7VA (0.06 AMPS) DC VOLTS = 1.8 W to 12.7 W		
Response times :	24 VDC (5.4W)	Energize : 6 ms	De-energize : 2 ms
	120 VAC	Energize : 3-8 ms	De-energize : 2-7 ms

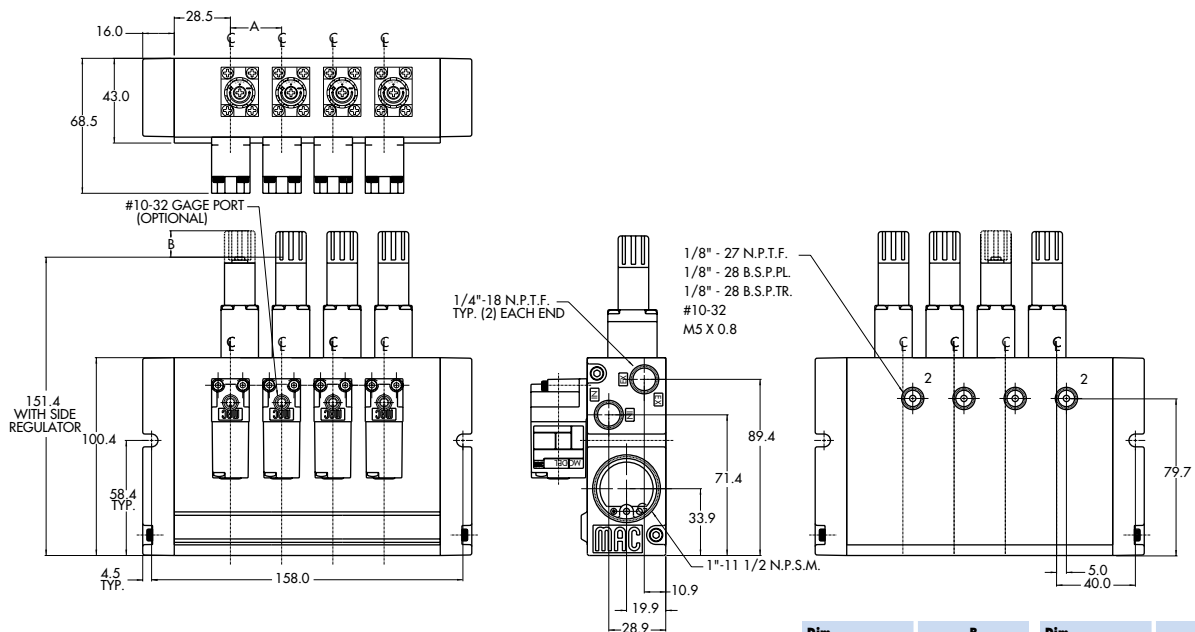
Spare parts :

- Solenoid operator (power ≥ 5.4 W) : DXXX-XXX, including mounting screws 35013.
- Seal between solenoid and valve body : 16402. • Seal between base and valve : 16447.
- Valve mounting screw (x2) : 35020. • Blanking plate valve : M-35004. • Blanking plate regulator : M-35005.
- Plug-in protector : 16520.

Options :

- BSPP threads. • High flow up to 0.14C_v, according to wattage. • Isolation of inlet and/or exhaust.

DIMENSIONS



Dim.	B	Dim.	A
SLOTTED LOCKING STEM	6.0	STANDARD SPACING	26.0
ADJUSTABLE KNOB	13.4	SPACING FOR GAUGES	40.0



Section 2

Options



0 p t i o n s

Codification table for voltages / Wire length / Manual operators / Electrical connections

VALVE CODE ➤ **-DXX X - X XX**
1 2 3 4

OPTIONS AVAILABLE FOR

- Solenoid valves 35 & 45 Series

1. VOLTAGE

- D XX	X - X XX	VOLTAGE
AD		24/60
AE		200/60
AF		240/50
AG		100/50, 100/60, 110/60
DB		12 VDC (5.4 W)
DC		12 VDC (7.5 W)
DD		24 VDC (7.3 W)
DE		12 VDC (12.7 W) CLSF
DK		110 VDC (5.8 W)
DL		64 VDC (6.0 W)
DM		36 VDC (5.8 W)
DN		6 VDC (6.0 W)
DP		48 VDC (5.8 W)
DU		24 VDC (6.0 W)
EA		12 VDC (6.0 W)
FA		12 VDC (1.8 W)
FE		12 VDC (2.4 W)
FF		24 VDC (2.4 W)

2. WIRE LENGTH

- D XX	X - X XX	WIRE LENGTH
B		24"
C		36"
D		48"
E		72"
F		96"

3. MANUAL OPERATOR

- D XX X - X XX MANUAL OPERATOR

0	No operator
1	Non-locking recessed
2	Locking recessed
3	Non-locking extended
4	Locking extended

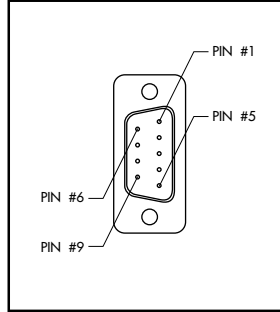
4. ELECTRICAL CONNECTION

- D XX X - X XX ELECTRICAL CONNECTION

BA	Flying leads
BK	BA with protection diode
BL	BA with protection varistor
CA	1/2" NPS conduit
*FN	Plug-in with diode
*FP	Plug-in with M.O.V.
JB	Rectangular connector
JD	Rectangular connector with light
JM	Rectangular connector, male only
KA	Square connector
KB	Square connector with protection diode
KC	Square connector with protection varistor
KD	Square connector with light
KE	Square connector with light and protection diode
KF	Square connector with light and protection varistor
KJ	Square connector (male only)
KK	Square connector with protection diode (male only)
KL	Square connector with protection varistor (male only)
TA	Dual tabs
TB	TA with protection diode
TD	TA with light
TE	TA with light and protection diode
TJ	Dual tabs (male only)
TK	TJ with protection diode
TM	TJ with light
TN	TJ with light and protection diode

* For use with the ECD and ECE style circuit bars.

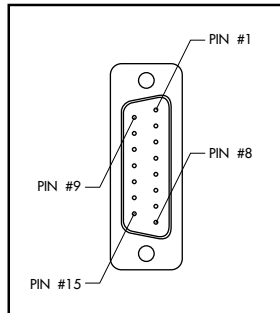
MOD. S009



TECHNICAL DATA

- Type «SUB_D»
- Number of contacts : 9
- Solder termination (Dia. 0.6 mm/0.14 mm²/26-22 AWG)
- Operating current 5 A/contact
- Rated voltage 125 V~
- Temp. range -40° to +125°C
- Insulation resistance ≥ 5.0⁹ Ω
- Protection class IP40 (DIN 40050)
- Number of solenoids : 7 max.
- Max. 24 V=/5.4 W per solenoid
- 2 common wires

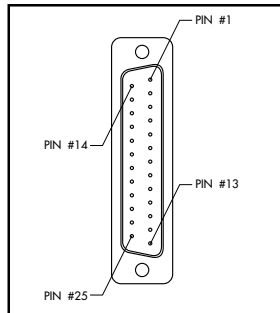
MOD. S015



TECHNICAL DATA

- Type «SUB_D»
- Number of contacts : 15
- Solder termination (Dia. 0.6 mm/0.14 mm²/26-22 AWG)
- Operating current 5 A/contact
- Rated voltage 125 V~
- Temp. range -40° to +125°C
- Insulation resistance ≥ 5.0⁹ Ω
- Protection class IP40 (DIN 40050)
- Number of solenoids : 12 max.
- Max. 24 V=/5.4 W per solenoid
- 3 common wires

MOD. S025

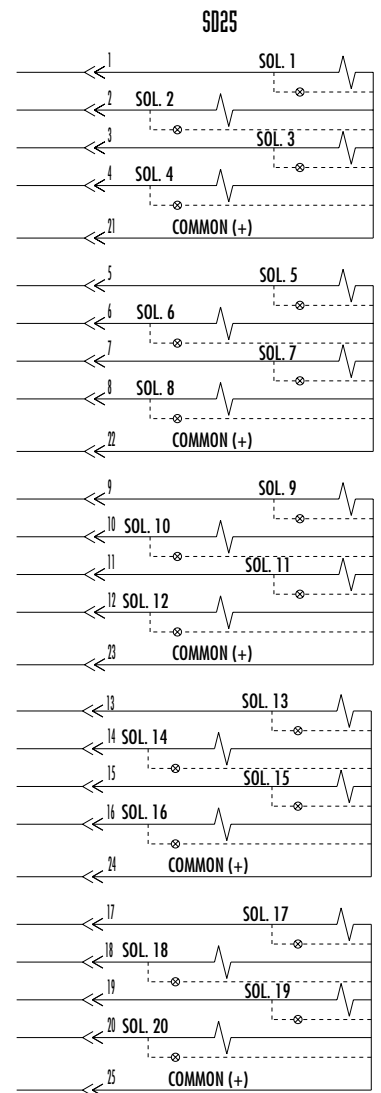
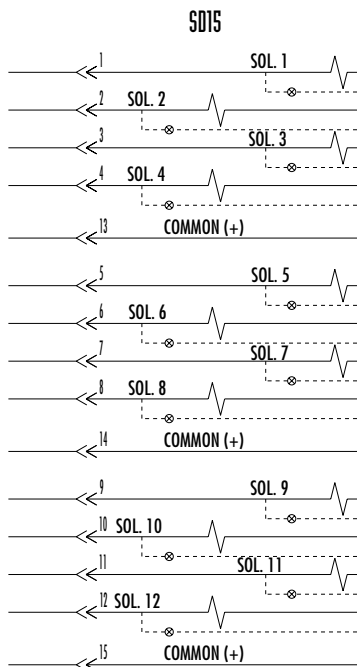
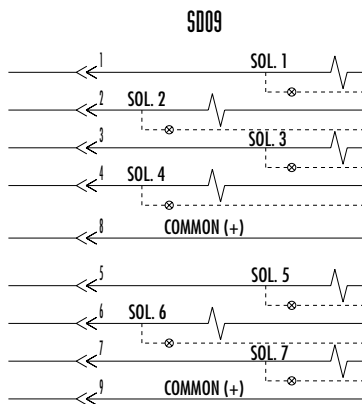
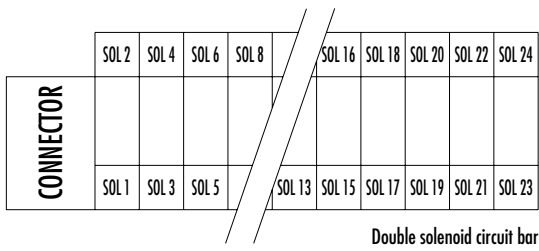
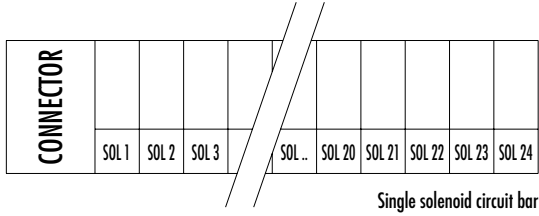


TECHNICAL DATA

- Type «SUB_D»
- Number of contacts : 25
- Solder termination (Dia. 0.6 mm/0.14 mm²/26-22 AWG)
- Operating current 5 A/contact
- Rated voltage 125 V~
- Temp. range -40° to +125°C
- Insulation resistance ≥ 5.0⁹ Ω
- Protection class IP40 (DIN 40050)
- Number of solenoids : 20 max.
- Max. 24 V=/5.4 W per solenoid
- 5 common wires

Note : Use desired MOD. number after circuit bar part number

Connector termination details





PRECAUTIONS CONCERNING THE APPLICATION, INSTALLATION AND SERVICE OF MAC VALVES

The precautions below are important to be read and understood before designing into a system any MAC valve, and before installing or servicing any MAC valve. Improper use, installation or servicing of any MAC valve in some systems could create a hazard to personnel or equipment.

APPLICATION PRECAUTIONS :

INDUSTRIAL USE -

MAC valves are intended for use in industrial pneumatic and/or vacuum systems. They are not intended for consumer use or service. They are general purpose industrial valves with literally thousands of different applications in industrial systems. These products are not inherently dangerous, but they are only a component of an overall system. The system in which they are used must provide adequate safeguards to prevent injury or damage in the event failure occurs, whether it be failure of switches, regulators, cylinders, valves or any other component.

POWER PRESSES -

MAC valves are not designed nor intended to be used to operate and/or control the operation of clutch and/or brake systems on power presses. There are special products on the market for such use.

2-POSITION VALVES -

Some MAC valves are 2-position, 4-way valves. When air is supplied to the inlet port(s) of these valves, there will always be a flow path from the inlet to one of the outlets regardless of which of the two positions the valve is situated. Therefore, if pressurized air retained in the system would present a hazard in the application or servicing of the valve or system, a separate method in the system must be provided to remove the trapped air.

3- POSITION VALVES-

Some MAC valves are 3-position, 4-way valves. These valves are either double solenoid or double remote air operated.

If either of the two operators is in control, air supplied to the inlet port(s) will pass through the valve to one of the outlets as on 2-position, 4-way valves. However, if neither operator is in control, the valve moves to a center position. Listed below are the various center position functions :

A. CLOSED CENTER-

With this type valve, when in the center position all ports are blocked (inlets and exhausts) meaning the air at both outlet ports is trapped. If trapping the air in both outlet ports would present a hazard in the application or servicing, a separate method in the system must be provided to remove the trapped air or this type valve should not be used.

B. OPEN CENTER-

With this type valve, when in the center position, the inlet port(s) is blocked and the two outlet ports are open to the exhaust port(s) of the valve. If having no air in either outlet port would present a hazard in the application or servicing, this type valve should not be used.

C. PRESSURE CENTER-

With this type valve, when in the center position, the inlet port(s) is connected to both outlet ports of the valve. If having pressurized air to either or both outlet ports would present a hazard in the application or servicing of the valve or system, a separate method in the system must be provided to remove the retained air.

OPERATING SPECIFICATIONS -

MAC valves are to be installed only on applications that meet all operating specifications described in the MAC catalog for the valve.

MANUAL OPERATORS-

Most MAC valves can be ordered with manual operators. Manual operators when depressed, are designed to shift the valve to the same position as would the corresponding solenoid or remote air pilot operator if it were activated. Care must be taken to order a type, if any, that will be safe for the physical location of the manual operator in the system. Accidental activation of a manual operator could create a dangerous situation. If intentional or accidental operation of a valve by a manual operator could create a dangerous situation then the "no operator" option should be used.

REMOTE AIR OPERATED VALVES

Pilot valves supplying signal pressure to remote air operated valves should be 3-way valves with adequate supply and exhaust capacity to provide positive pressurizing and exhausting of the pilot supply line. Pilot lines should be open to exhaust when valves are deenergized.

INSTALLATION AND SERVICE PRECAUTIONS :

- A. Do not install or service MAC valves without first making sure both the air and electrical power to the machine are off and that all air has been completely bled from the system.
- B. MAC valves should only be installed and/or serviced by qualified, knowledgeable personnel who understand how the specific valve is to be pneumatically piped and electrically connected (where applicable). Flow paths through the valve are shown in the catalog and on the valve by use of ANSI or ISO type standard and graphic symbols. Do not install unless these symbols and the valve functions and operations are thoroughly understood.
- C. Before service, maintenance, repair or cleaning, consult local distributor or factory for Parts & Operation Sheet and information on proper cleaning and lubrication agents. Do not subject MAC valves' parts to any foreign substance including lubricants and cleaning agents not specifically recommended by MAC valves, Inc.
- D. MAC valves are never to be stepped on while working on a machine. Damage to the valve, or lines to the valve (either air or electrical lines) or accidental activating of a manual operator on the valve could result in a dangerous condition.

WARNING :

Under no circumstances are Mac valves to be used in any application where failure of the valve to operate as intended could jeopardize the safety of the operator or any other person.

- Do not operate outside of pressure range listed on valve label or outside of designated temperature range.
- Air supply must be clean. Contamination of valve can affect proper operation.
- Before attempting to repair, adjust or clean valve, consult catalog, parts & operation sheet, or factory for proper maintenance procedures, lubrication, and cleaning agents. Never attempt to repair or perform other maintenance with air pressure to valve.
- If airline lubrication is used, consult catalog, parts & operation sheet, or factory for recommended lubricants.

LIMITATION OF GUARANTEE

This Guarantee is limited to the replacement or rebuilding of any valve which should fail to operate properly. Valves, under the MAC Guarantee, must be returned (with or without bases) transportation prepaid and received at our factory within the Guarantee period. They will be returned to the customer at the expense of MAC Valves, Inc., and will carry the same guarantee as provided under the Flat Rate Rebuild Program.

DISCLAIMER OF GUARANTEE

No claims for labor, material, time, damage, or transportation are allowable nor will any valve be replaced or rebuilt under this guarantee which has been damaged by the purchaser not in the normal course of its use and maintenance during the warranty period. The guarantee does not apply to loss or damage caused by fire, theft, riot, explosion, labor dispute, act of God, or other causes beyond the control of MAC Valves, Inc. MAC Valves, Inc. shall in no event be liable for remote, special or consequential damages under the MAC Guarantee, nor under any implied warranties, including the implied warranty of merchantability.

The above Guarantee is our manner of extending the engineering and service resources of the MAC Valves, Inc. organization to assure our customer long, and continued satisfaction.